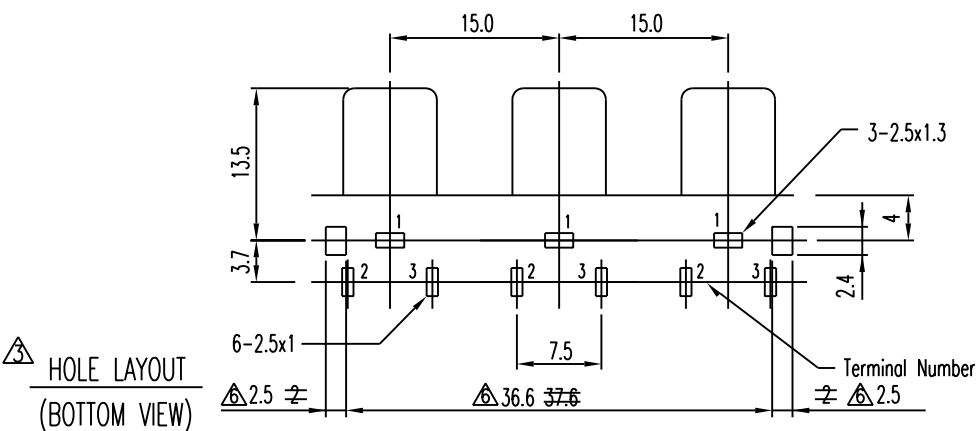
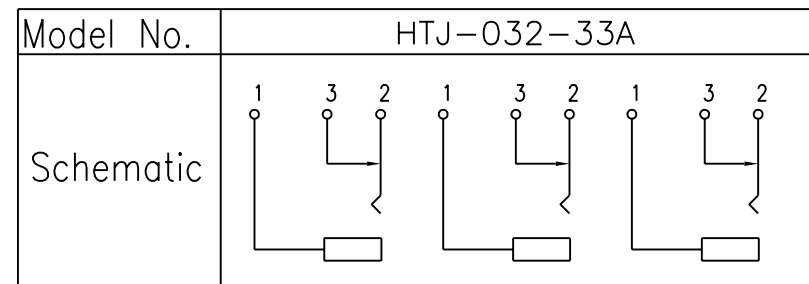


△ Forming dimension of outer contact.



△ HOLE LAYOUT  
(BOTTOM VIEW)

REVISIONS				
LTR	DESCRIPTION	DATE	REVISED	APPROVED
△ x1	OUTER CONTACT : 1.1±0.1	1997.01.17	H.P.Liu	C.H.Chang
△ x1	C5191 → C5212	1997.01.28	H.P.Liu	C.H.Chang
△ x1		1998.01.13	L.H.Cheng	C.H.Chang
△ x1	3.7 → 4	1998.07.23	S.C.Shen	Kung
△ x2		1999.01.13	C.Y.Su	Kung
△ x2		2003.04.01	LON	Kung



5	TIP SPRING	3	△ C5212 , t=0.3	MB : Cu Ag PLATED
4	SHUNT SPRING	3	C2680 , t=0.4	MB : Cu Ag PLATED
3	OUTER CONTACT	3	C2680 , t=0.4	MB : Cu Ni PLATED
2	WASHER	2	ABS , UL-94HB	
1	HOUSING	1	ABS , UL-94HB	
LTR	PART NAME	QTY	MATERIAL(THICK,COLOR)	REMARK
DSND	LON	DATE	2003.04.01	SCALE 2 / 1 NAME PIN JACK
DWN	LON	DATE	2003.04.01	
CHKD	KUNG	DATE	2003.04.02	3RD ANGLE PROJECTION CAT. NO. HTJ-032-33A-____
APVD		DATE		
SINGATRON (USA)				DWN.NO. A-03233A
				004

UNLESS OTHERWISE SPECIFIED, TOLERANCE ON DECIMAL: ±0.3 FRACTIONS:

ANGLES: