

Magnet Application Products

Sounducers Pin Terminal

SD Series

SD120901, SD120908/ø12mm TYPE

FEATURES

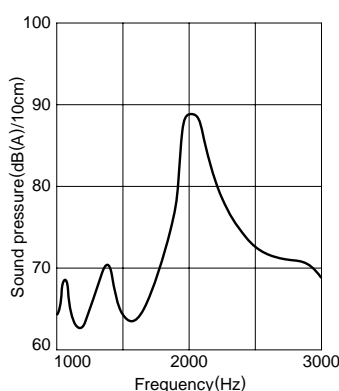
- Compact, pin terminal type sounducer with 2048Hz output.
- Pin type terminal construction enables direct mounting onto printed circuit boards.

APPLICATIONS

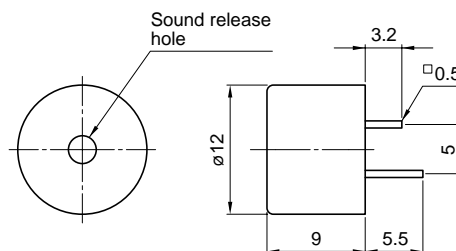
Clocks, travel watches, keyboards, toys.

FREQUENCY CHARACTERISTICS (SD120901)

Around 2000Hz



SHAPES AND DIMENSIONS



Weight: 2g

•The longer pin is the + side. Dimensions in mm

ELECTRICAL CHARACTERISTICS

Part No.	SD120901	SD120908
Rated voltage Eo-p(V)	3	5
Operating voltage Eo-p(V)	1 to 4	3 to 6
Drive conditions:Rated voltage, square wave form [duty 50%]		
Frequency(Hz)	2048	2048
Sound pressure(dB(A)/10cm)min.	80	80
Current Io-p(mA)max.	60	60
DC resistance(Ω)typ.	50	90
Terminal construction	Pin terminal	Pin terminal

- Please ask us for details which is designed an another operating rated frequency.

SD161201, SD161216/ø16mm TYPE

FEATURES

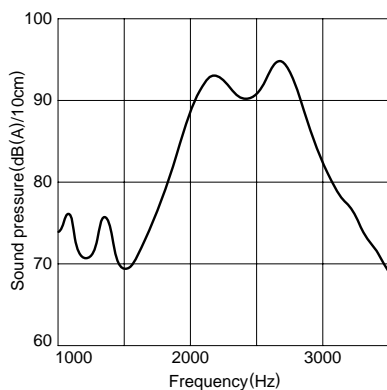
- These sounducers deliver ample sound pressure levels with output over a relatively wide band. They can thus be used for music.
- Pin type terminal construction enables direct mounting onto printed circuit boards.

APPLICATIONS

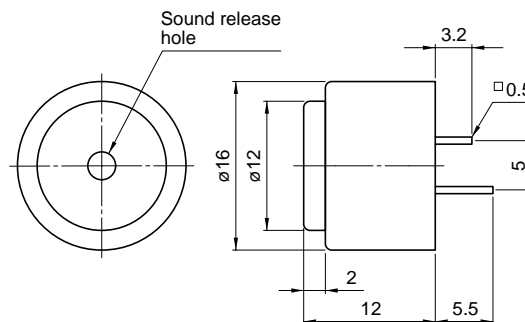
ECRs, POSs, facsimiles, printers, keyboards, electronic games, toys.

FREQUENCY CHARACTERISTICS (SD161201)

Around 2000Hz



SHAPES AND DIMENSIONS



Weight: 4g

•The longer pin is the + side. Dimensions in mm

ELECTRICAL CHARACTERISTICS

Part No.	SD161201	SD161216
Rated voltage Eo-p(V)	3	5
Operating voltage Eo-p(V)	1 to 5	3 to 9
Drive conditions:Rated voltage, square wave form [duty 50%]		
Drive frequency(Hz)	2048	2048
Sound pressure(dB(A)/10cm)min.	85	85
Current Io-p(mA)max.	60	70
DC resistance(Ω)typ.	50	70
Terminal construction	Pin terminal	Pin terminal

- Please ask us for details which is designed an another operating rated frequency.

Magnet Application Products

Sounducers Pin Terminal

SD Series

SD160701, SD160709/ø16mm TYPE

FEATURES

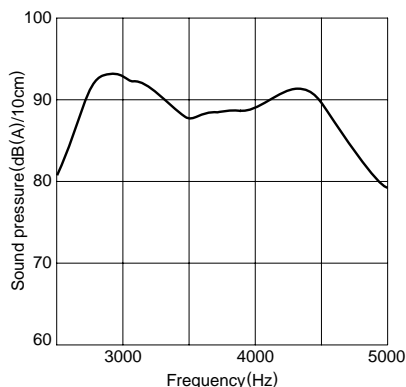
- These are thin-type sounducers with a height of only 7mm. They provide output over a relatively wide band, making them suitable for music.
- Pin type terminal construction enables direct mounting onto printed circuit boards.

APPLICATIONS

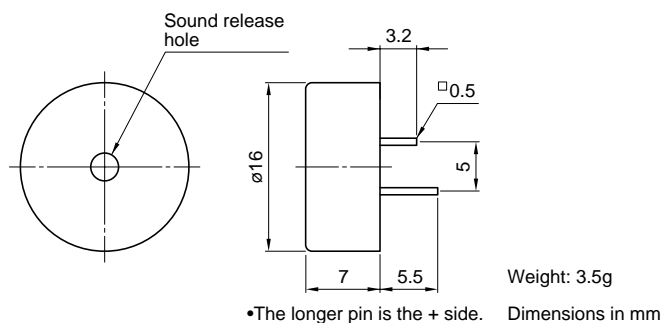
Travel watches, keyboards, handy-type equipment, toys.

FREQUENCY CHARACTERISTICS (SD160701)

Around 4000Hz



SHAPES AND DIMENSIONS



ELECTRICAL CHARACTERISTICS

Part No.	SD160701	SD160709
Rated voltage Eo-p(V)	3	5
Operating voltage Eo-p(V)	1 to 5	3 to 9
Drive conditions: Rated voltage, square wave form [duty 50%]		
Drive frequency(Hz)	4096	4096
Sound pressure(dB(A)/10cm)min.	80	80
Current Io-p(mA)max.	60	70
DC resistance(Ω)typ.	50	70
Terminal construction	Pin terminal	Pin terminal

- Please ask us for details which is designed an another operating rated frequency.

SD1614T-B1, SD1614TT-B1/ø16mm TYPE

FEATURES

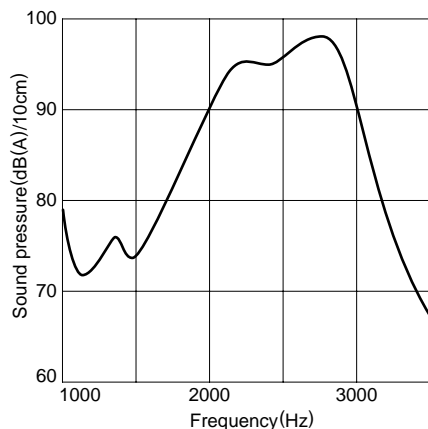
- These low-cost sounducers are suited to a wide range of applications.
- Pin type terminal construction enables direct mounting onto printed circuit boards.

APPLICATIONS

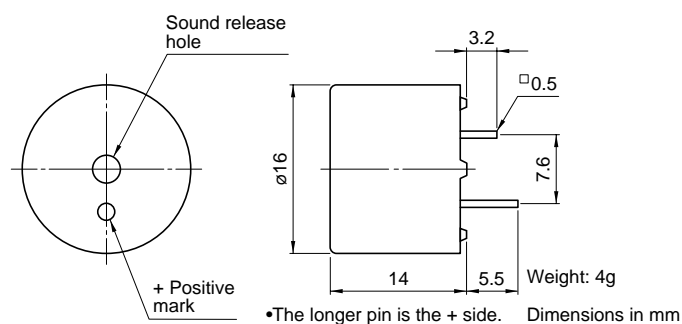
Office equipment, electronic games, toys, home appliances, keyboards.

FREQUENCY CHARACTERISTICS(SD1614T5-B1)

Around 2000Hz



SHAPES AND DIMENSIONS



ELECTRICAL CHARACTERISTICS

Part No.	SD1614T5-B1	SD1614TT-B1
Rated voltage Eo-p(V)	5	12
Operating voltage Eo-p(V)	3 to 6	6 to 15
Drive conditions: Rated voltage, square wave form [duty 50%]		
Drive frequency(Hz)	2048	2048
Sound pressure(dB(A)/10cm)min.	85	85
Current Io-p(mA)max.	80	100
DC resistance(Ω)typ.	70	120
Terminal construction	Pin terminal	Pin terminal

- Please ask us for details which is designed an another operating rated frequency.

Magnet Application Products

SD Series

Sounducers Pin Terminal

SD2412L5-T1/ø24mm TYPE

FEATURES

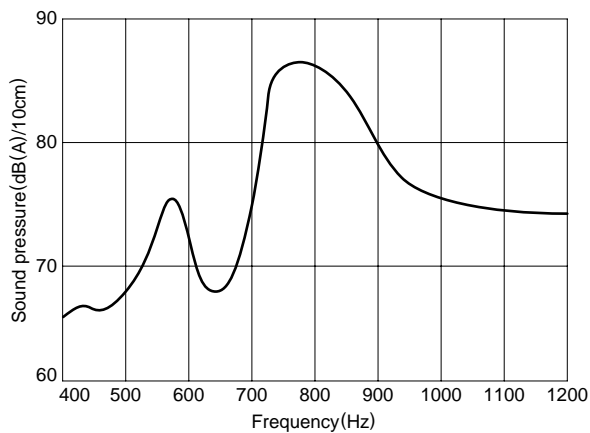
- Low-frequency type (800Hz output).
- Soft alarm tone.
- Pin type terminal construction enables direct mounting onto printed circuit boards.

APPLICATIONS

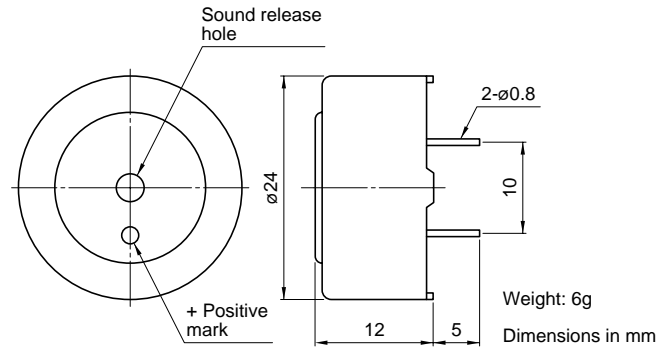
Office equipment, electronic games, keyboards, alarms for automobiles.

FREQUENCY CHARACTERISTICS(SD2412L5-T1)

Around 800Hz



SHAPES AND DIMENSIONS



ELECTRICAL CHARACTERISTICS

Part No.	SD2412L5-T1
Rated voltage Eo-p(V)	5
Operating voltage Eo-p(V)	3 to 6
Drive conditions:Rated voltage, square wave form [duty 50%]	
Drive frequency(Hz)	800
Sound pressure(dB(A)/10cm)min.	80
Current Io-p(mA)max.	50
DC resistance(Ω)typ.	120
Terminal construction	Pin terminal

